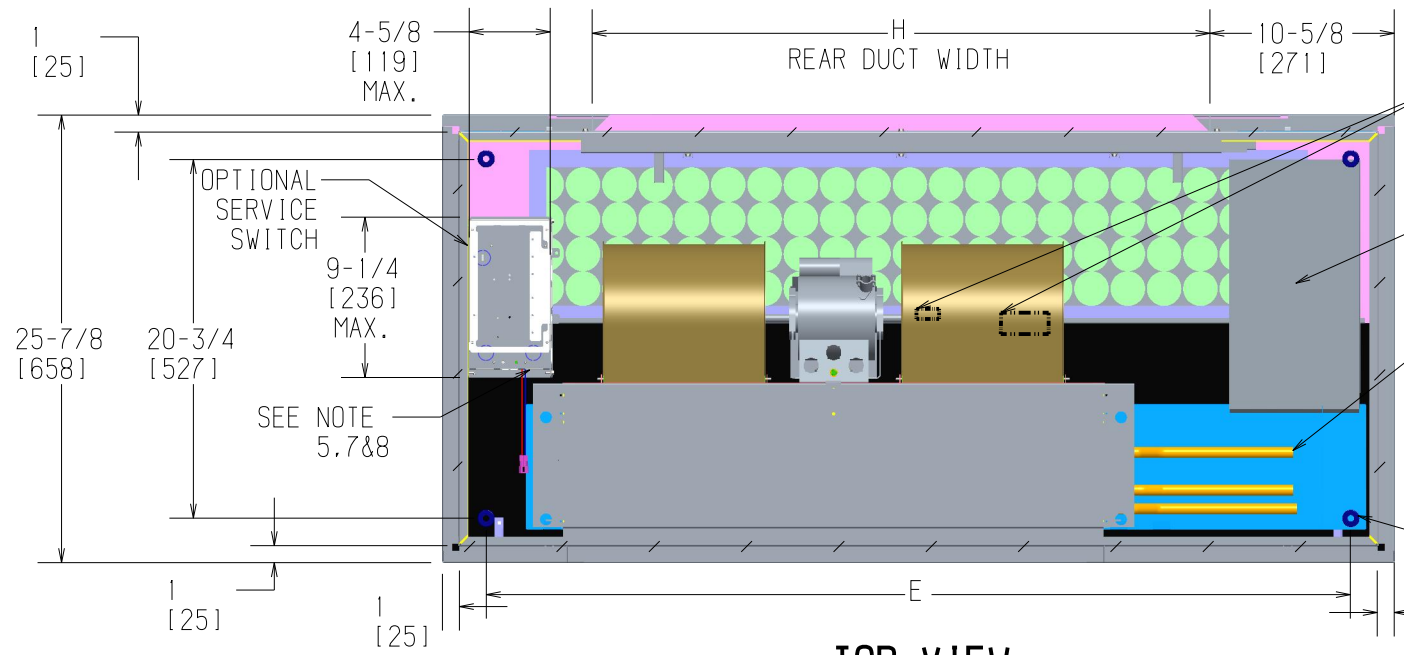
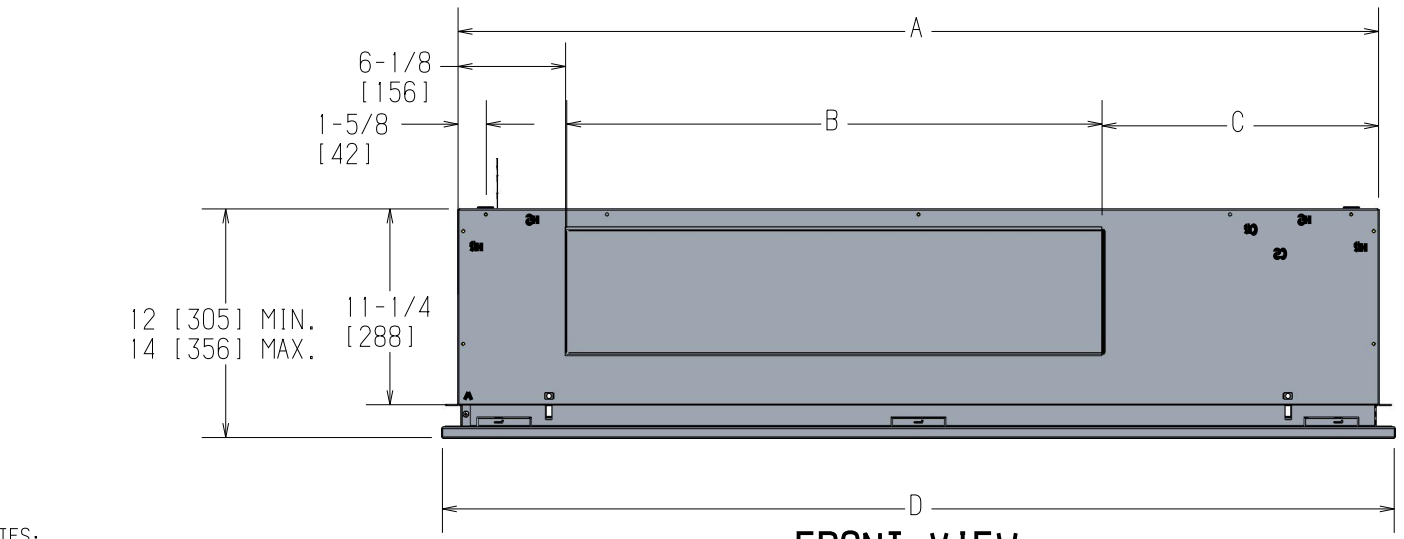


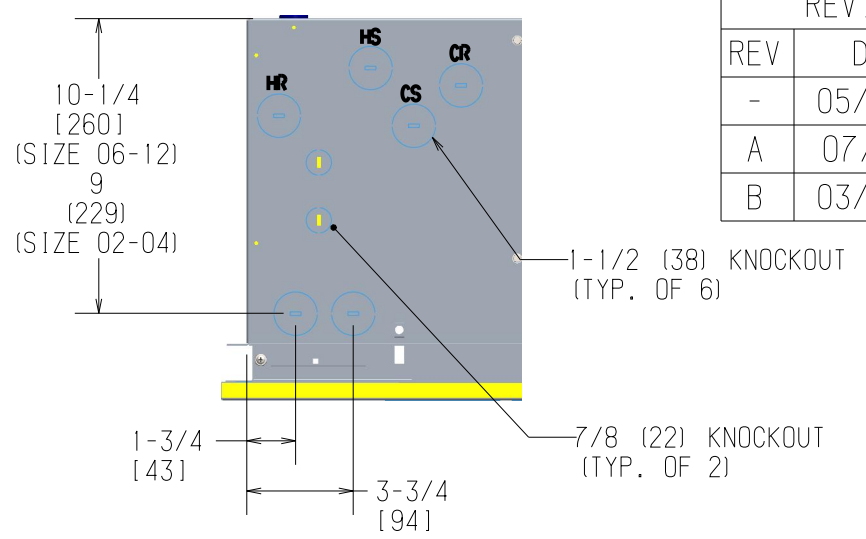
REVISION HISTORY		
REV	DATE	ECN
-	05/01/18	18-0608
A	07/07/20	20-0643
B	03/11/21	21-0295



**TOP VIEW**

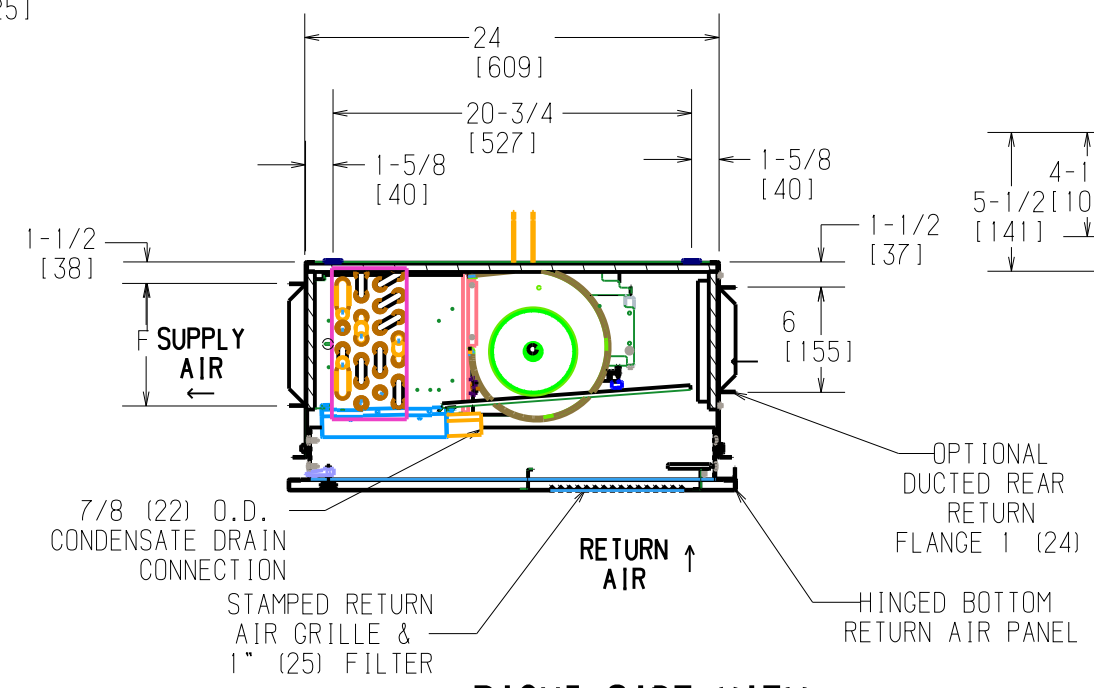


**FRONT VIEW**

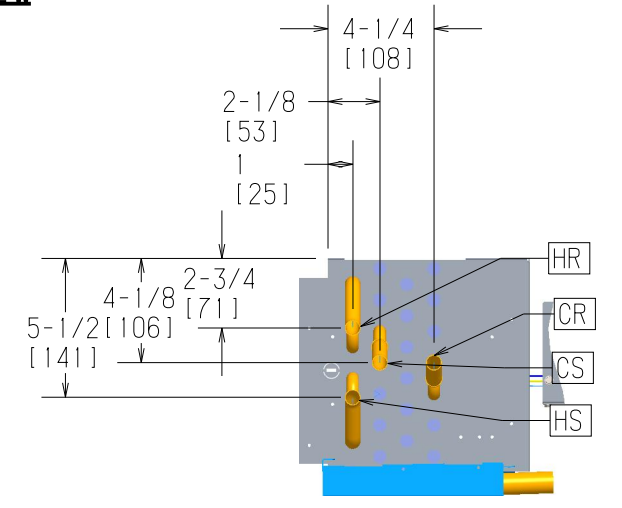


**PARTIAL REAR VIEW**

(TYPICAL BOTH SIDES)  
SEE VLV PKG  
SUPPLEMENT FOR DIMS



**RIGHT SIDE VIEW**



DETAIL A  
STUB OUT  
LOCATIONS  
FOR STANDARD  
COIL

- NOTES:
1. RH SHOWN, LH OPPOSITE.
  2. ALL DIMENSIONS ARE +/- .25 (6). DRAWING NOT TO SCALE.
  3. PRODUCT SPECIFICATIONS ARE SUBJECT TO CHANGE WITHOUT NOTICE.
  4. DRIP LIP RECOMMENDED. PROVIDED WHEN VALVE PKG IS ORDERED.
  5. CONTROL BOX SIZE AND POSITION MAY VARY (CONSULT FACTORY)
  6. POSITION MAY VARY.
  7. SERVICE ACCESS IS LOCATED ON THE FRONT OF THE CONTROL BOX.
  8. KNOCKOUTS ON THE BOTTOM AND SIDE OF THE CONTROL BOX FOR INCOMING POWER CONNECTIONS
  9. TYPICAL SIZE 06 UNIT SHOWN WITH 1-MOTOR AND 2-BLWR - REFER TO TABLE FOR VARIATION.
  10. SEE VALVE PACKAGE SUPPLEMENTAL FOR PIPING TERMINATION.
  11. FIELD CONNECTION PIPES WILL BE SHIPPED LOOSE WITH VALVE PACKAGES.

Unit Model	Dimensions - Inches (Millimeters)							Quantity/Unit	
	A	B	C	D	E	F	H	BLWR	MOTOR
CBY 02	35 (889)	16 (406)	12-3/4 (324)	37 (940)	32 (813)	6 (152)	18-3/4 (476)	1	1
CBY 03	35 (889)	20 (508)	8-3/4 (225)	37 (940)	32 (813)	6 (152)	18-3/4 (476)	1	1
CBY 04	41 (1041)	26 (660)	8-3/4 (225)	43 (11092)	38 (965)	6 (152)	24-3/4 (629)	2	1
CBY 06	53 (1346)	31 (787)	15-3/4 (400)	55 (11397)	50 (1270)	7 (179)	35-3/4 (908)	2	1
CBY 08	53 (1346)	38 (965)	8-3/4 (225)	55 (11397)	50 (1270)	7 (179)	35-3/4 (908)	2	1
CBY 10	75 (1905)	52 (1321)	16-3/4 (425)	77 (1956)	72 (1829)	7 (179)	49-3/4 (1264)	4	2
CBY 12	75 (1905)	60 (1524)	8-3/4 (225)	77 (1956)	72 (1829)	7 (179)	49-3/4 (1264)	4	2

TITLE  
**CBY HORIZONTAL TELESCOPING HIDEAWAY**

DWG NO  
**1100-90041393**

REV  
**B**

DRAWN J. Fuson	DATE 03/29/21	APPROVED S. STOTTS	DATE 03/29/21
-------------------	------------------	-----------------------	------------------